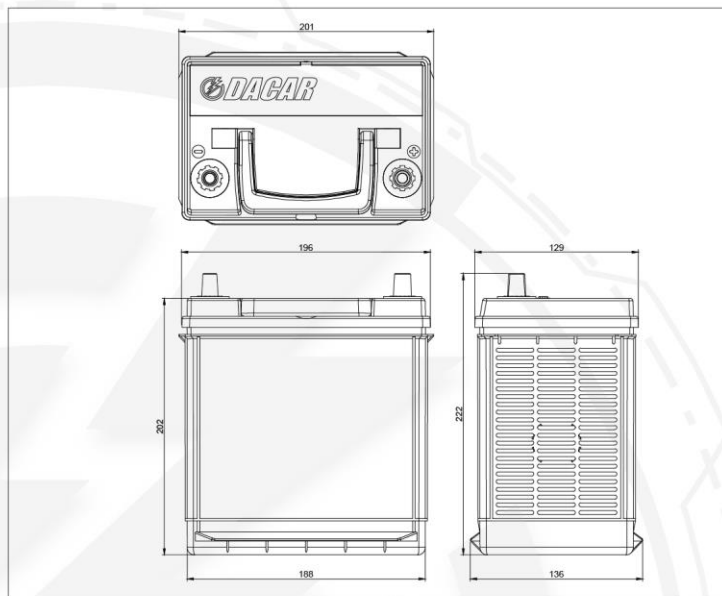




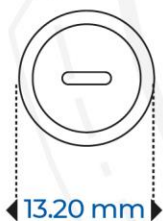
## BP NS40-50

## DATA SHEET



### TYPE OF TERMINAL

Jis Pencil Post



### POLARITY



NORMAL

### SPECIFICATIONS AND CHARACTERISTICS



|           |     |
|-----------|-----|
| VOLTAGE   | 12V |
| Ah        | 50  |
| RES. MIN  | 70  |
| CCA -18°C | 415 |
| CA -0°C   | 498 |



#### DIMENSIONS

|        |        |
|--------|--------|
| LENGTH | 193 mm |
| WIDTH  | 124 mm |
| HEIGHT | 224 mm |



#### BOX BATTERY COVER OPTIONS

- PP OF HIGH IMPACT
- FLAT TYPE WITH HANDLE
- 1- LMP=SMF
- 2-POD( PUSH IN VENT PLUG)

#### SEPARATOR TYPE OF BATTERY

- PE ENVELOPE
- MAINTENANCE FREE TECHNOLOGY



# Máxima Duración

