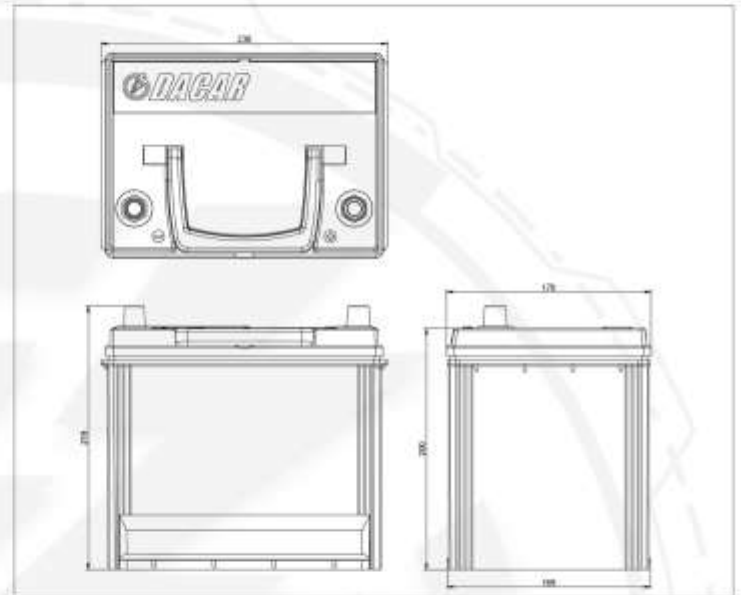


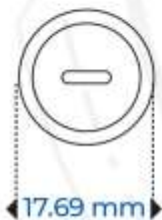


## BP 25-70

## DATA SHEET



### TYPE OF TERMINAL SAE Post



### POLARITY



NORMAL

### SPECIFICATIONS AND CHARACTERISTICS



VOLTAGE	12V
Ah	70
RES. MIN	116
CCA -18°C	520
CA -0°C	624



#### DIMENSIONS

LENGTH	230 mm
WIDTH	175 mm
HEIGHT	215 mm



#### BOX BATTERY COVER OPTIONS

#### SEPARATOR TYPE OF BATTERY

PP OF HIGH IMPACT  
FLAT TYPE WITH HANDLE  
1- LMP=SMF  
2-POD( PUSH IN VENT PLUG)  
PE ENVELOPE  
MAINTENANCE FREE  
TECHNOLOGY



# Máxima Duración

